

Examrace: Downloaded from examrace.com

For solved question bank visit doorsteptutor.com and for free video lectures visit
[Examrace YouTube Channel](#)

Discussion on Network Models & Layered Architecture for Competitive Exams 2021

Get top class preparation for GATE right from your home: Get [detailed illustrated notes covering entire syllabus](#): point-by-point for high retention.

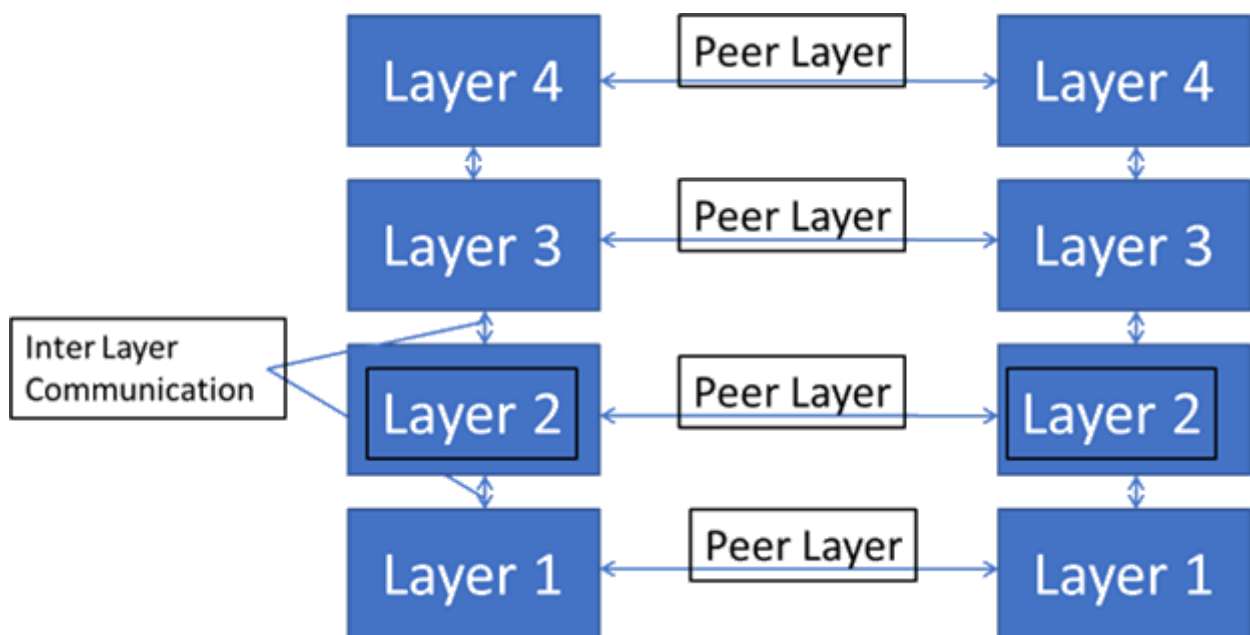
Complete Video at - [Computer Network Models & Layered Architecture \(Computer Science\)](#)

Topics

- Network Model and its Working
- Different Network Models- OSI and TCP/IP
- Layered architecture

Complete notes and preparation module at doorsteptutor.com

Computer Network Model



©Examrace. Report ©violations @<https://tips.fbi.gov/>

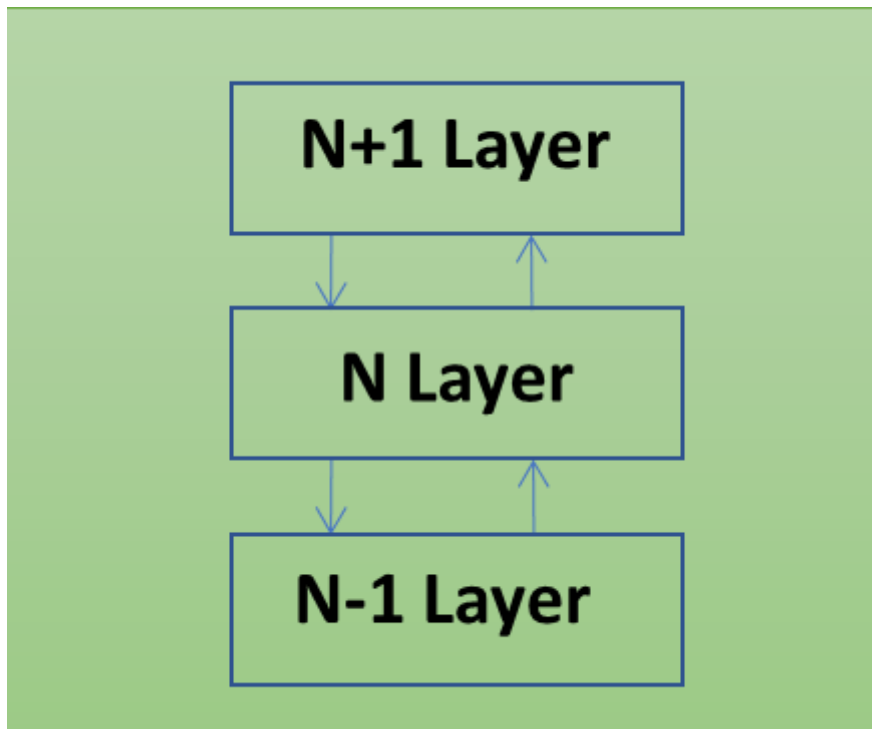
Different Computer Network Models

- **Computer Network Model:** It is the structure and model or design which is used to perform communication between two networks.
- OSI Reference Model
- TCP/IP Model
 - OSI: It stands for '**Open System Interconnection**'. It is the general purpose communication model in the computer network earlier days.
 - It is an 'open source' structure which means that it can be openly used for any environment and network easily for communication purpose.
 - It is a seven layered structured architecture.
 - TCP/IP: It stands for '**Transmission Control Protocol/Internet Protocol**' .

- It is a four layered architecture model. Different layer is responsible for different task.
- **Layered Architecture:**
 - Various computer network models like OSI, TCP/IP work on the layered architecture, which means that there will be various layers of the model.
 - There are different layers of a single model will be responsible for various different work and tasks.

Let us take an example.

- **In Layered Network Architecture**, an entity of layer N uses only services of layer N-1.



©Examrace. Report ©violations @<https://tips.fbi.gov/>

Layered Network Architecture

MCQ

Q1. OSI Stands for _____

Options:

- A. Open System Interconnection
- B. Open Software Interconnection
- C. Open System Internetworking

D. Open Session Interconnection

Answer: A

Q2. TCP/IP is a _____ Layered architecture model used in computer network.

Options:

A. 4

B. 3

C. 6

D. 7

Answer: A

Q3. TCP is

Options:

1. Operated at data link layer
2. Connection oriented and unreliable
3. Connection oriented and reliable
4. Connectionless and unreliable

Answer: C

- We learnt about:

#Computer Network Model

#Layered Architecture

#Working of Layered Architecture

#OSI Model

#TCP/IP Model

- We learn about other encoding techniques in further videos.

-Mayank

Developed by: [Mindsprite Solutions](#)